

# TEA series Metal Case Tantalum Capacitors Axial Type Wet Electrolytic

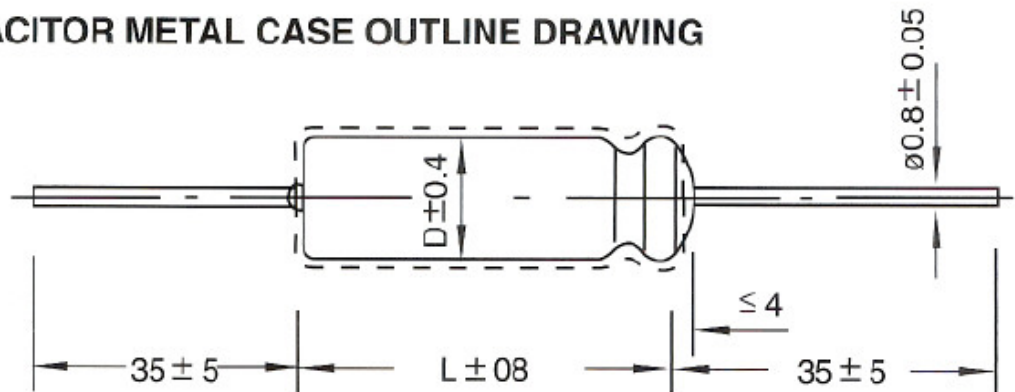
## ◆ Features

- » Wet Electrolytic
- » Polar Type
- » Hermetically sealed metal cases
- » Axial leads
- » General purpose-extended range



## ◆ Dimension

TANTALUM CAPACITOR METAL CASE OUTLINE DRAWING



Dimension			
Case	D	L	d
A	4.0+/-0.40	12.0+/-0.80	0.80+/-0.05
B	5.0+/-0.40	14.0+/-0.80	0.80+/-0.05
C	6.0+/-0.40	16.0+/-0.80	0.80+/-0.05
D	8.0+/-0.40	16.0+/-0.80	0.80+/-0.05
E	8.0+/-0.40	22.0+/-0.80	0.80+/-0.05

## ◆ Rated Voltage, Capacitance of Capacitors

Capacitance (uF)	10 VDC	16 VDC	25 VDC	40 VDC	63 VDC	100 VDC	125 VDC
1.0						A	A
1.5						A	A
2.2						A	A
3.3						A	B
4.7						B	B
6.8						B	C
10					A	B	C
15					B	C	C
22					B	C	D
33				B	C	D	
47				B	D	D	
68			B	C	D		
100			B	C	E		
150		B	C	D	D		
220	B	C	C	D	E		
330	C	D	D				
470	D	D					
680							
1000							

Voltage	10 VDC	16 VDC	25 VDC	40 VDC	63 VDC	100 VDC	125 VDC
Capacitance (uF)	tan δ (120 Hz)%						
1.0-4.7						6	6
6.8						8	8
10					8	10	15
15					10	18	15
22					18	15	20
33				12	12	25	
47				25	25	28	
68			30	20	25		
100			25	35	20		
150		35	50	35	28		
220	45	60	50	30			
330	70	70	40				
470	75	50					
680							
1000							

◆ **Part Number**

<b>TEA</b>	<b>107</b>	<b>M</b>	<b>400</b>	<b>B</b>	<b>-</b>	<b>C</b>
<b>Type</b>	<b>Value</b>	<b>Tolerance</b>	<b>Voltage</b>	<b>Package</b>		<b>Size</b>
<b>TEA</b>	<b>1uF = 105</b>	<b>M: ±20%</b>	<b>40V = 400</b>	<b>B= Bulk</b>		<b>A = 4x12mm</b>
	<b>10uF = 106</b>	<b>K: ±10%</b>	<b>63V = 630</b>			<b>B = 5x14mm</b>
	<b>100uF = 107</b>		<b>100V = 101</b>			<b>C = 6x16mm</b>
			<b>125V = 125</b>			<b>D = 8x16mm</b>
						<b>E = 8x22mm</b>

